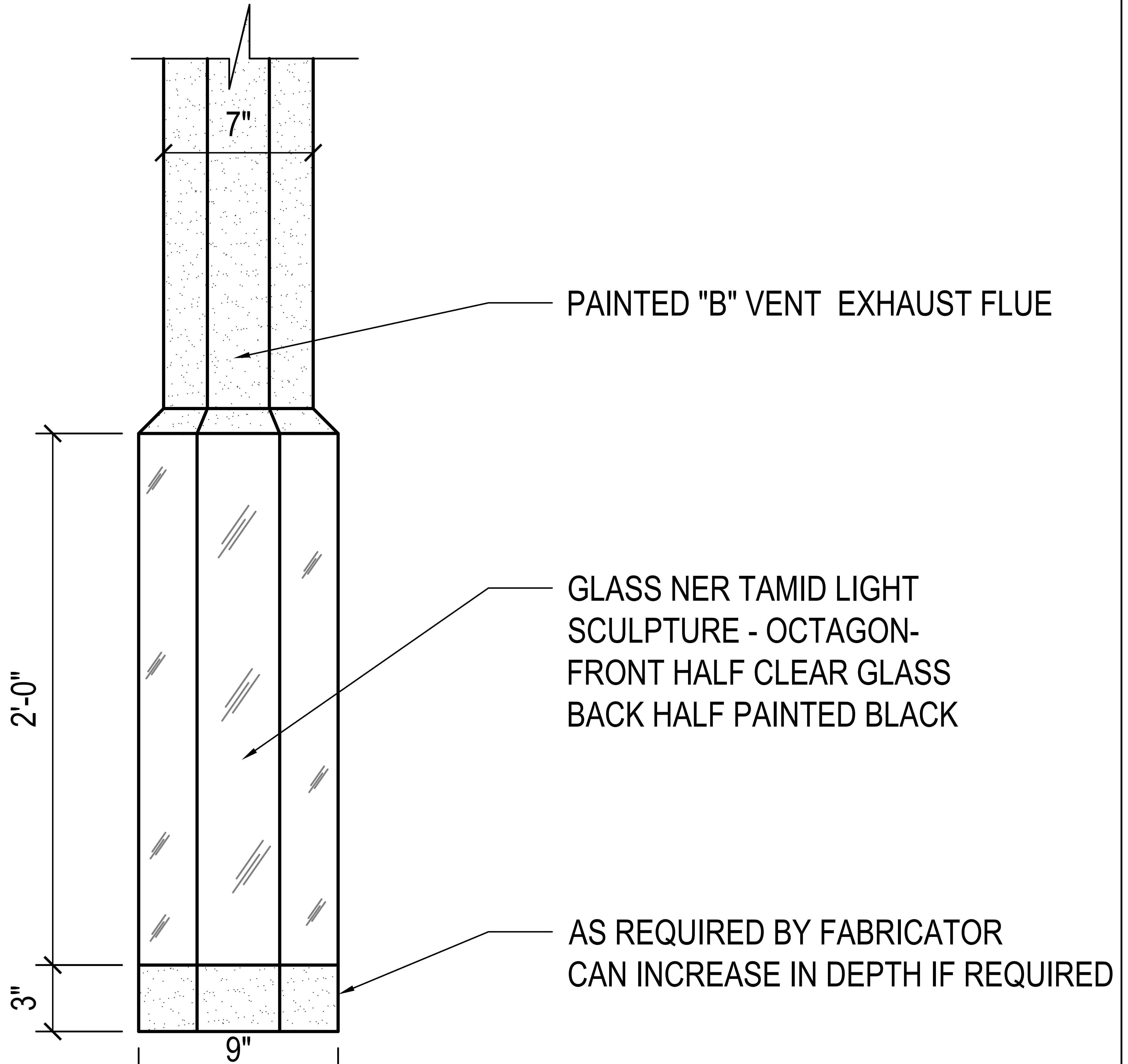
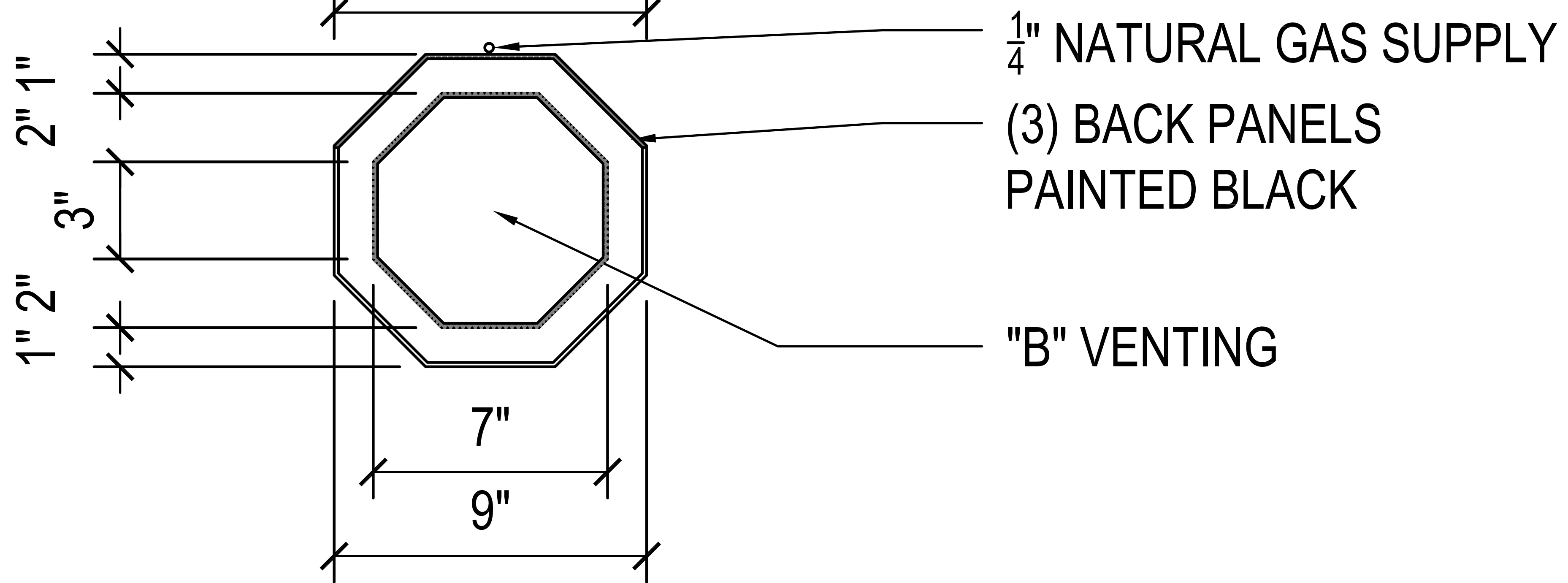


# ELEVATION



# PLAN



1 SK-52 OCTAGON NER TAMID NATURAL GAS MINI FIREPLACE

DATE: 11.13.2015  
LOCATION-DETAILS - NERTMID

This is a partial image of a large format Construction Document distributed in this format for convenience. All revisions pertinent to this clarification are shown. Notify WK DESIGN GROUP if the complete large format image is required.



CONGREGATION  
BETH DAVID  
19700 PROSPECT RD.  
SARATOGA, CA  
PROJECT #13006.00

