



US009700987B1

(12) **United States Patent**
Jaunzemis

(10) **Patent No.:** **US 9,700,987 B1**
(45) **Date of Patent:** ***Jul. 11, 2017**

(54) **TUMBLED, POLISHED, VIBRATED BROKEN TEMPERED GLASS PIECES**

(58) **Field of Classification Search**
CPC B24B 31/06; B24B 31/10; C03B 19/10;
C03B 27/04; C03C 1/002

(71) Applicant: **Edgar Edward Jaunzemis**, Rancho Cucamonga, CA (US)

See application file for complete search history.

(72) Inventor: **Edgar Edward Jaunzemis**, Rancho Cucamonga, CA (US)

(56) **References Cited**

U.S. PATENT DOCUMENTS

(*) Notice: Subject to any disclaimer, the term of this patent is extended or adjusted under 35 U.S.C. 154(b) by 0 days.

4,569,156 A * 2/1986 Yoder B24B 31/06
451/326
5,140,783 A * 8/1992 Hoffman B24B 31/14
134/7

This patent is subject to a terminal disclaimer.

(Continued)

(21) Appl. No.: **14/821,725**

OTHER PUBLICATIONS

(22) Filed: **Aug. 8, 2015**

Declaration*
ASTM Standard.*

Related U.S. Application Data

(60) Continuation of application No. 13/863,373, filed on Apr. 15, 2013, which is a division of application No. 13/180,434, filed on Jul. 11, 2011, now Pat. No. 8,419,505, which is a continuation of application No. 11/319,957, filed on Dec. 28, 2005, now Pat. No. 7,976,360, which is a continuation-in-part of application No. 10/413,620, filed on Apr. 14, 2003, now abandoned.

Primary Examiner — Dung Van Nguyen

(74) *Attorney, Agent, or Firm* — Lewis M. Brande; Law Office of Lewis Brande

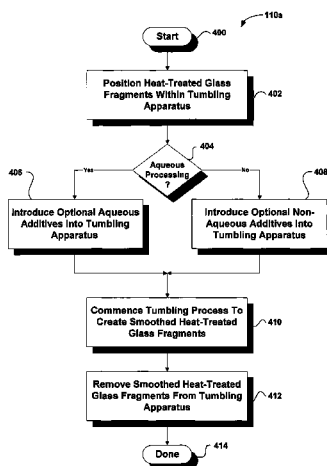
(51) **Int. Cl.**
B24B 1/00 (2006.01)
B24B 31/06 (2006.01)
C03C 19/00 (2006.01)
C03B 27/04 (2006.01)
C03B 19/10 (2006.01)
F24B 1/191 (2006.01)
C03C 1/00 (2006.01)

(57) **ABSTRACT**

An invention is provided for creating smoothed, heat-treated glass fragments. The invention includes placing a plurality of heat-treated glass fragments into a tumbling or vibrating apparatus. Each heat-treated glass fragment is formed from glass that has been heated to a temperature of at least 1000° Fahrenheit and rapidly cooled to a temperature below 700° Fahrenheit. The plurality of glass fragments are then tumbled or vibrated for a predetermined period of time such that surfaces of the heat-treated glass fragments are smoother than prior to tumbling. The glass fragments are thereafter removed from the tumbling apparatus, resulting in smoothed, heat-treated glass fragments that are suitable for direct handling without hand protection.

(52) **U.S. Cl.**
CPC **B24B 31/06** (2013.01); **C03B 19/10** (2013.01); **C03B 27/04** (2013.01); **C03C 1/002** (2013.01); **C03C 19/00** (2013.01); **F24B 1/191** (2013.01)

11 Claims, 11 Drawing Sheets



(56)

References Cited

U.S. PATENT DOCUMENTS

5,236,134 A * 8/1993 Krawczyk B03B 9/062
241/21
5,471,692 A * 12/1995 Wasinger D06F 7/06
241/300
5,486,135 A 1/1996 Arpaio
5,507,685 A * 4/1996 Hoffman B24B 31/14
134/7
6,284,186 B1 9/2001 Hansen
6,298,690 B1 * 10/2001 Dahl C03B 1/00
110/236
6,409,500 B2 6/2002 Georgantas
7,976,360 B2 * 7/2011 Jaunzemis B24B 31/10
451/33
9,187,947 B2 * 11/2015 Raggio B24B 31/00
9,410,358 B2 * 8/2016 Raggio E06B 3/66304

* cited by examiner

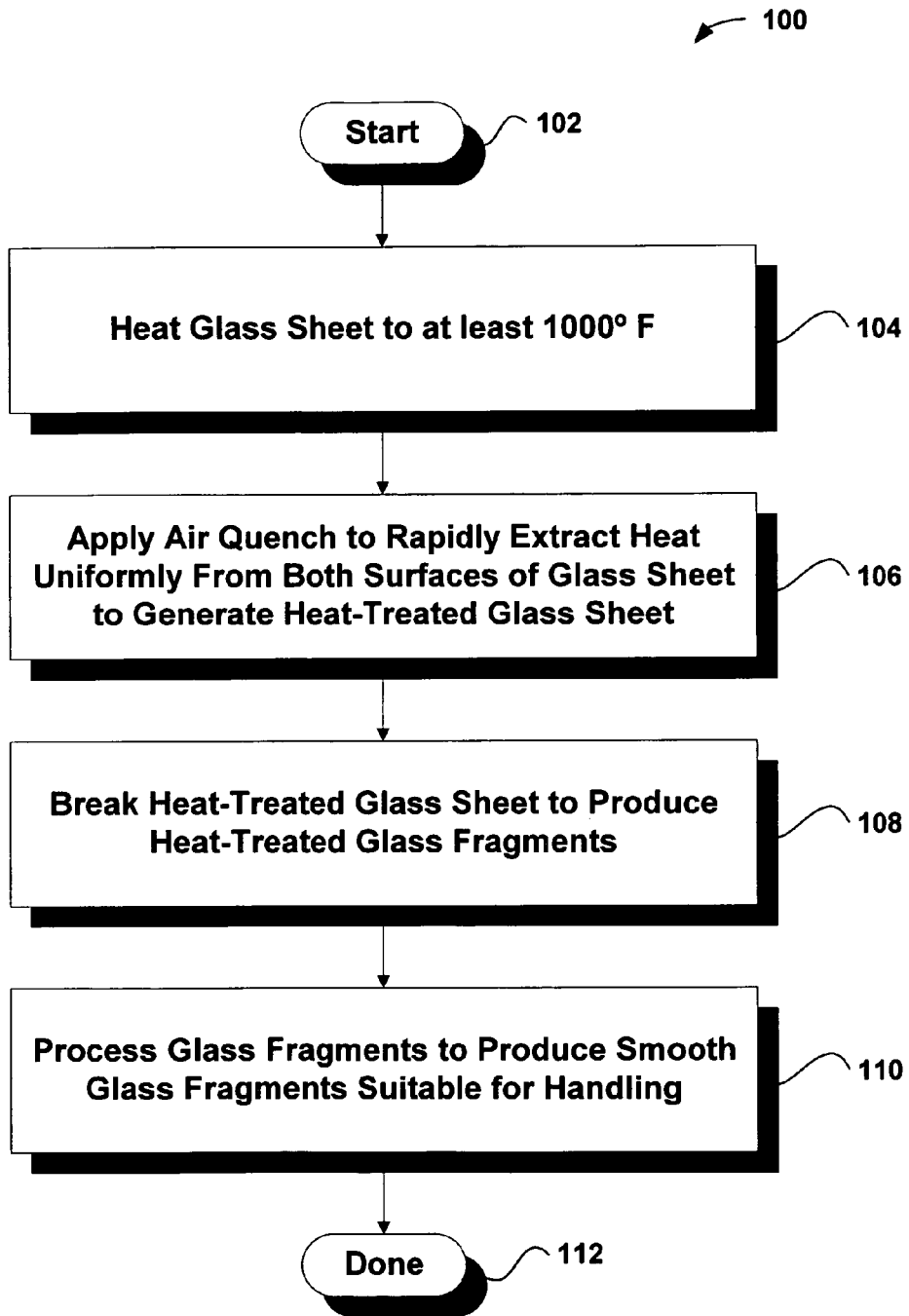


FIG. 1

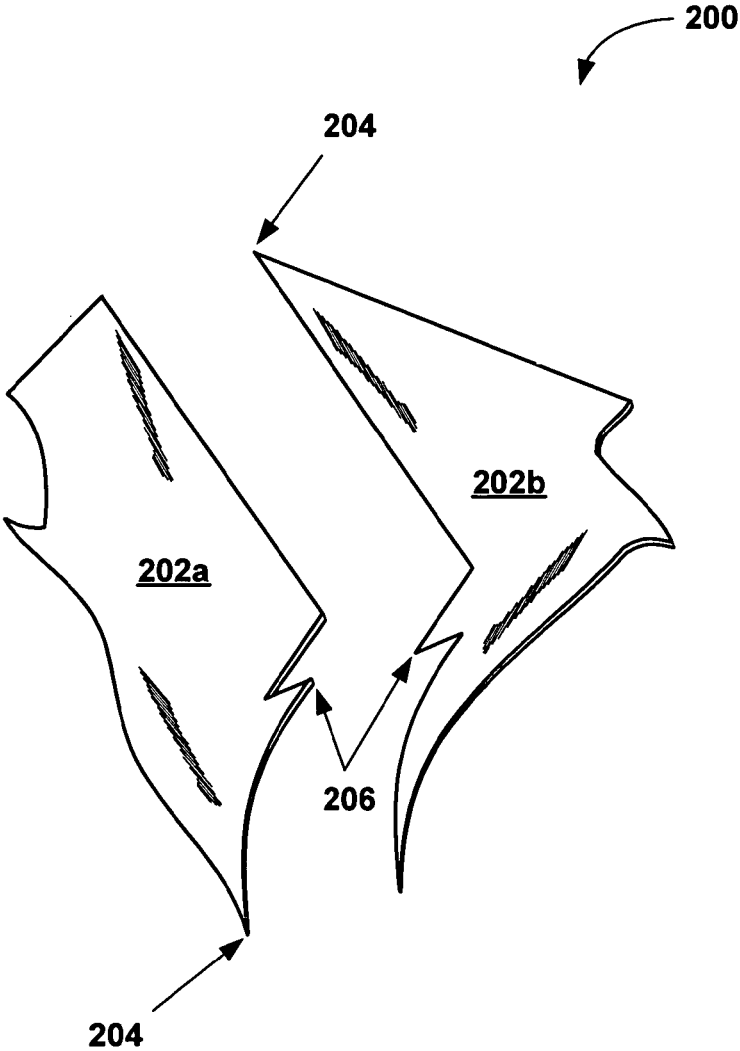


FIG. 2

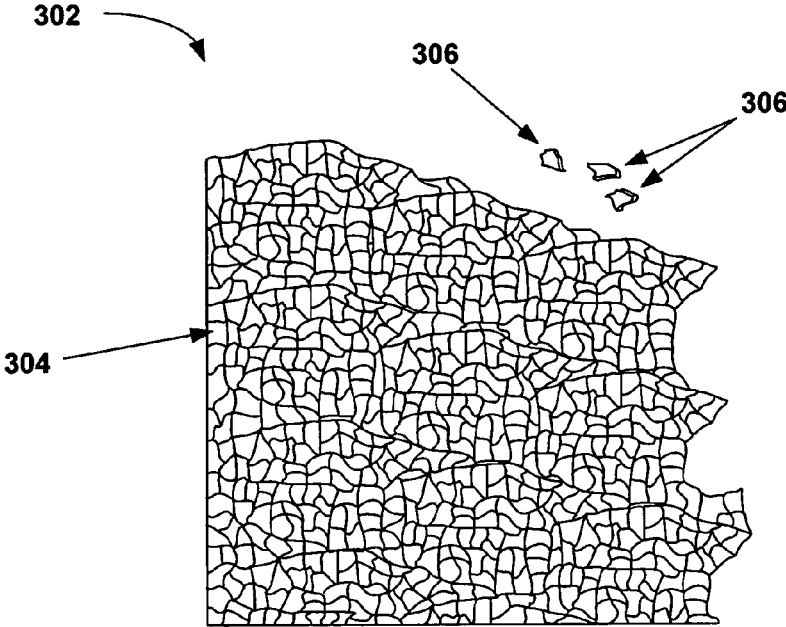


FIG. 3A

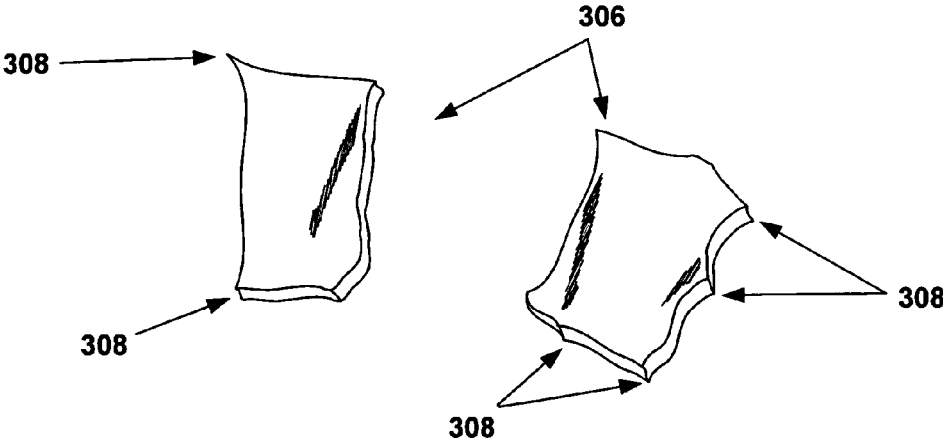


FIG. 3B

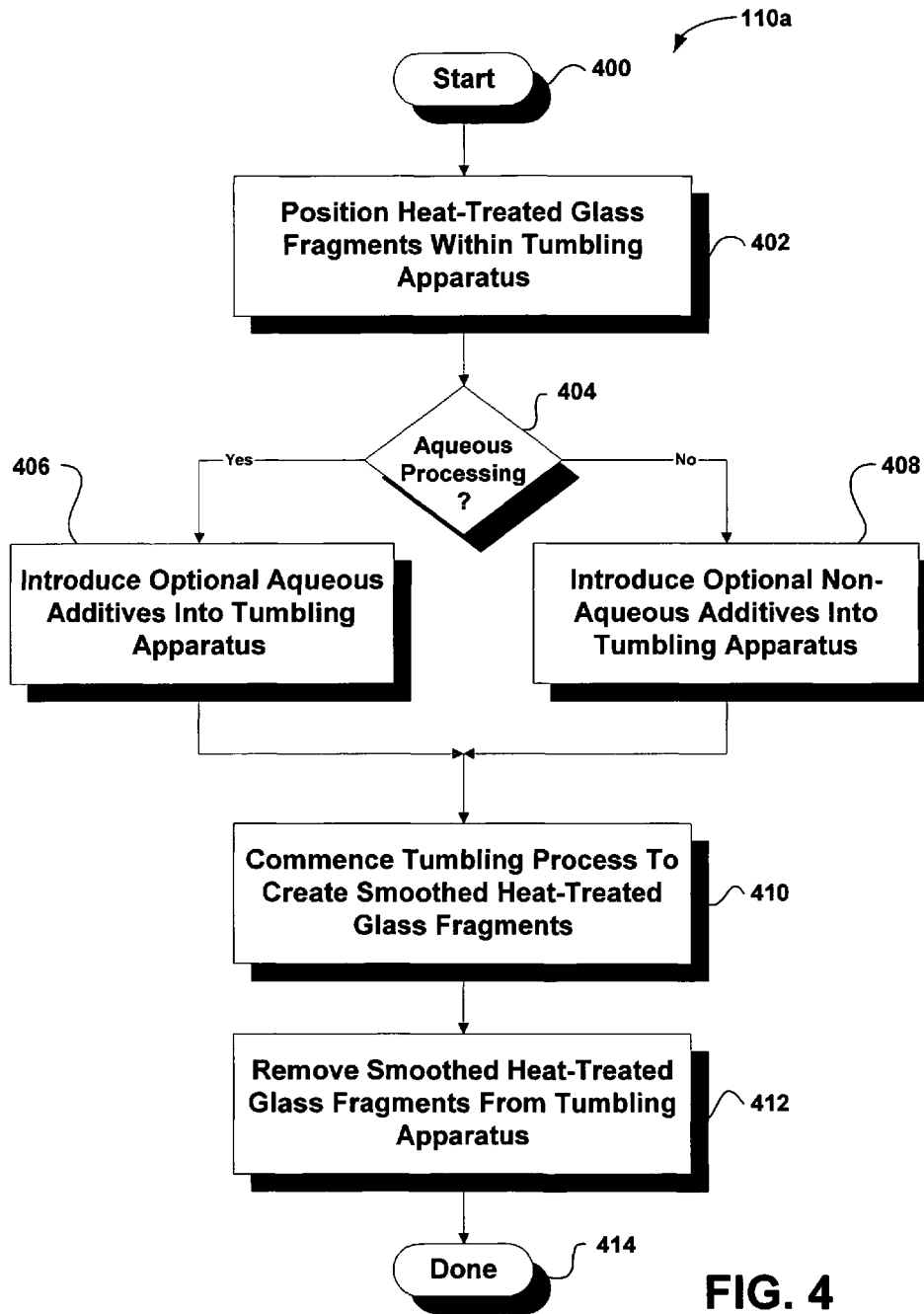


FIG. 4

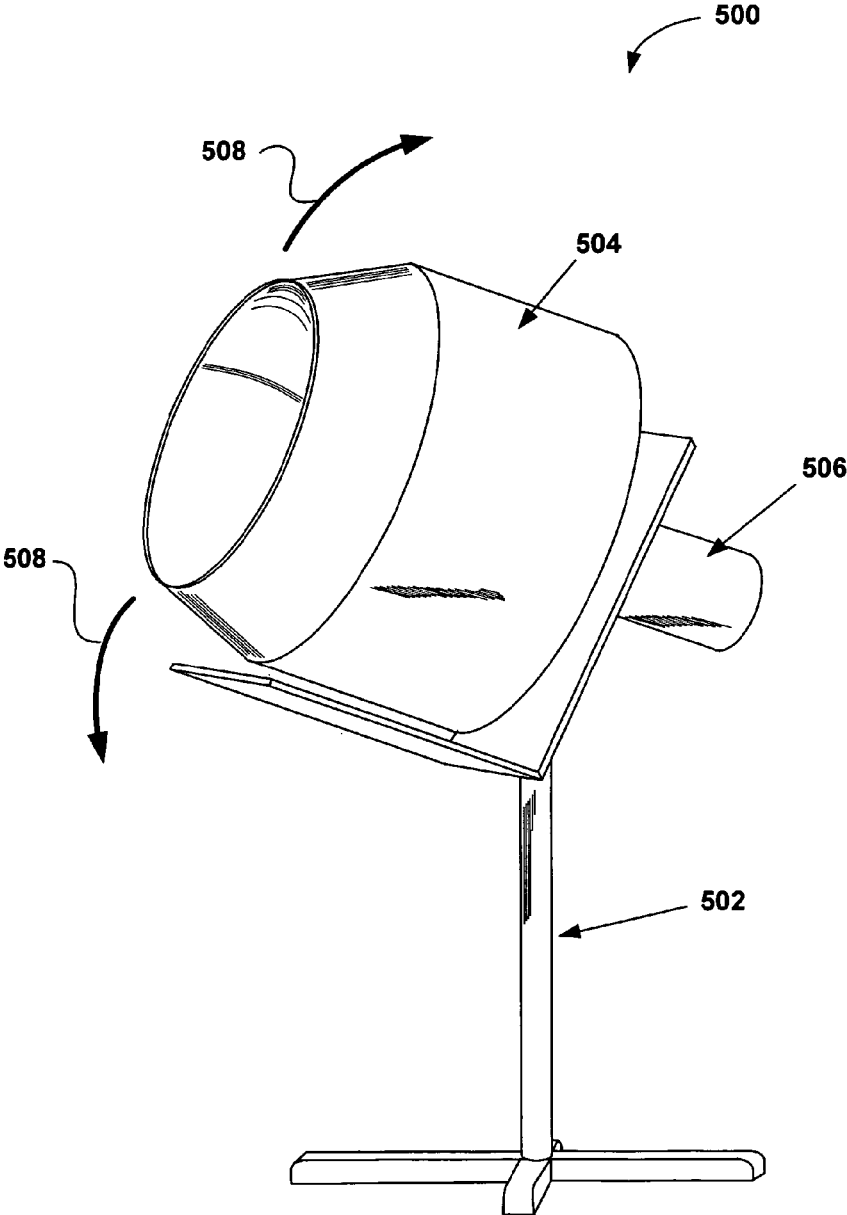


FIG. 5A

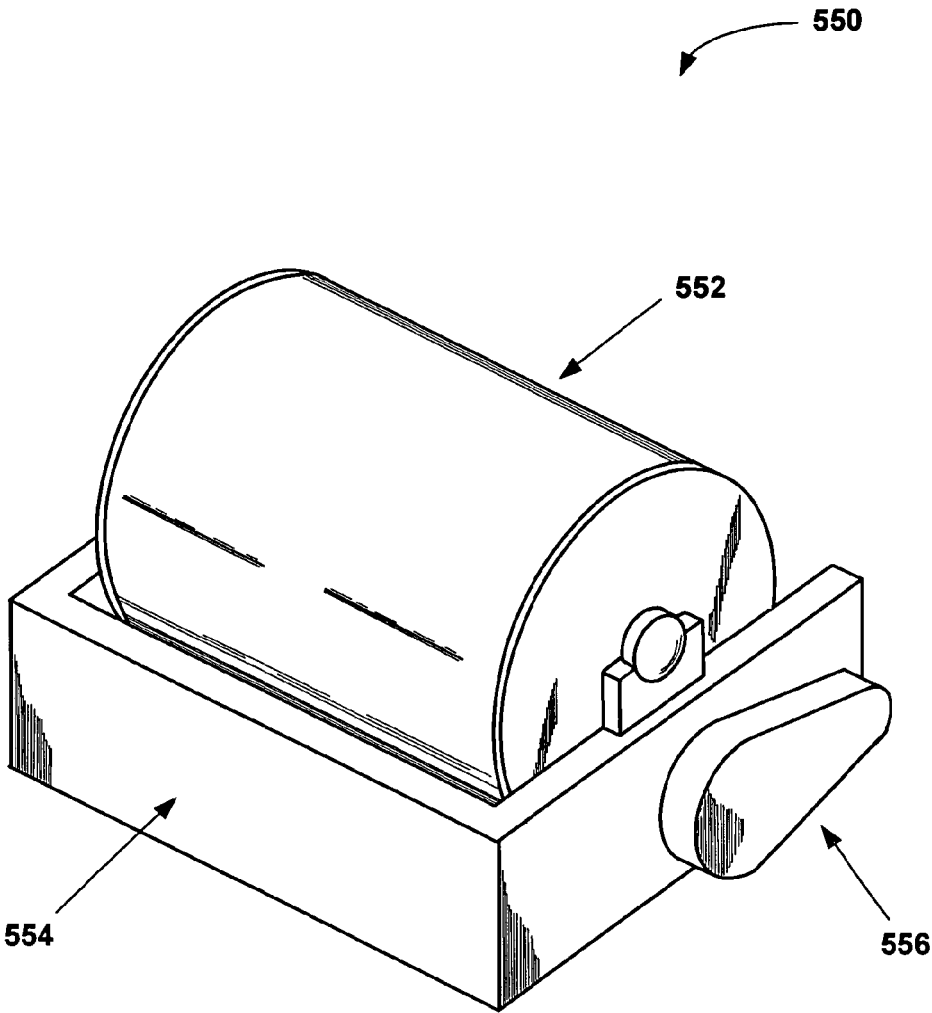


FIG. 5B

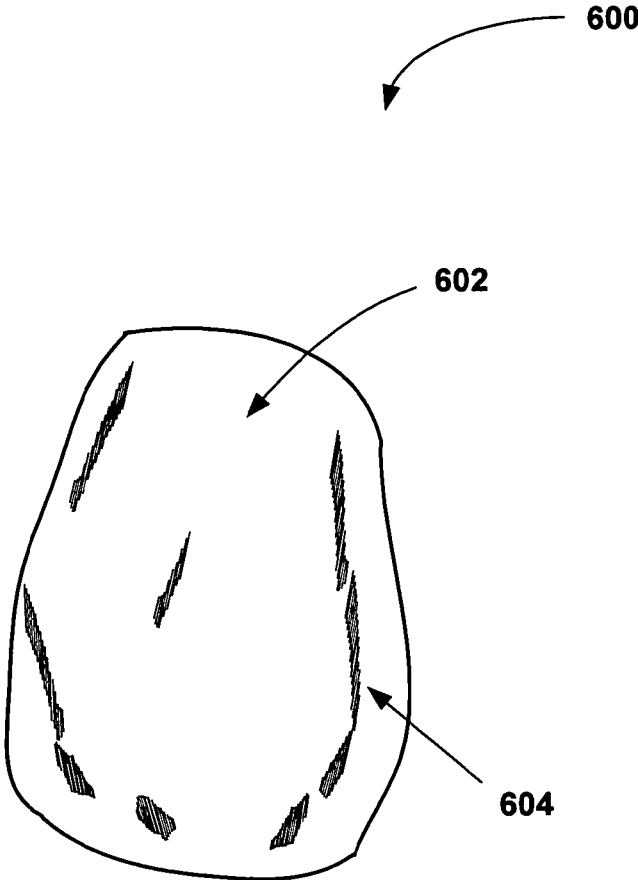


FIG. 6

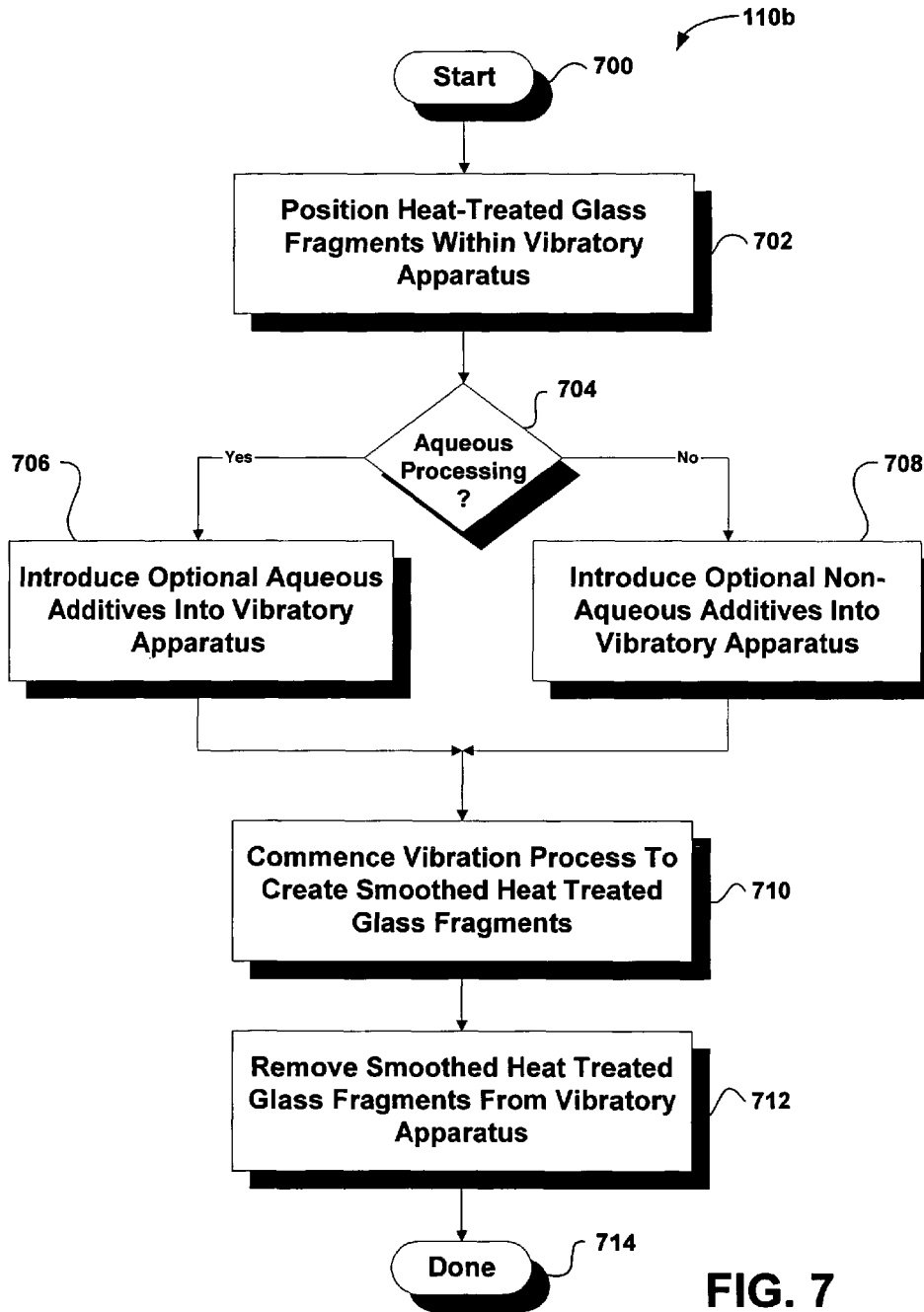


FIG. 7

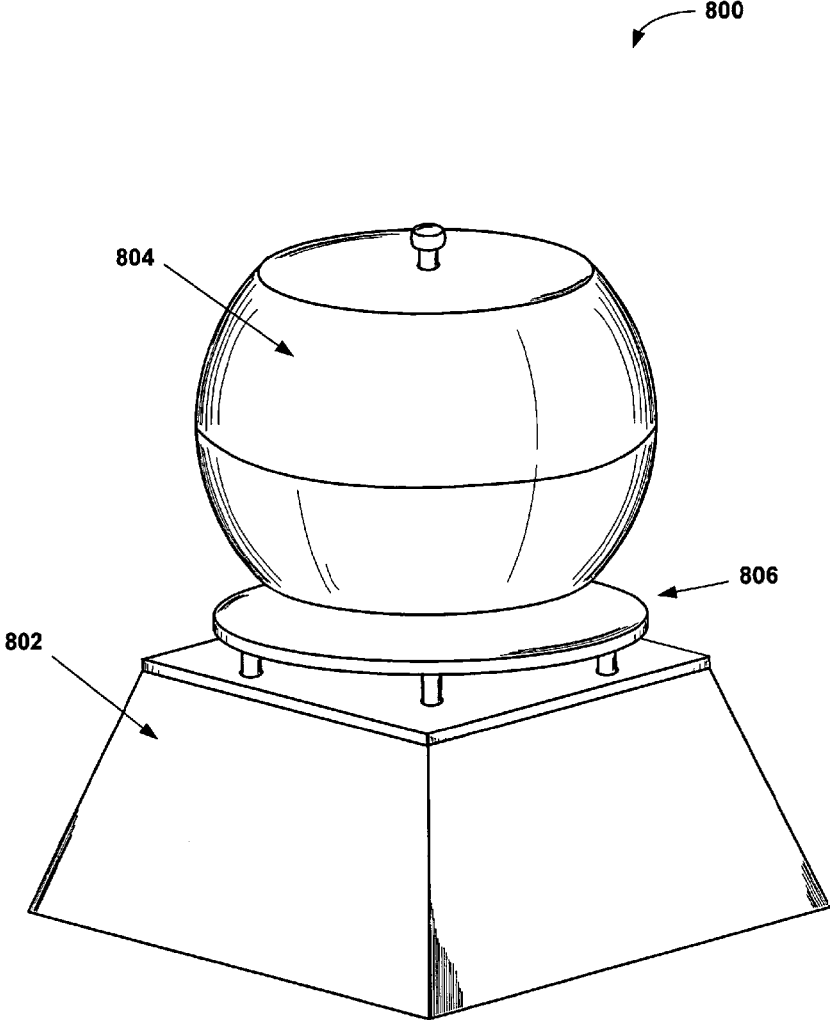


FIG. 8

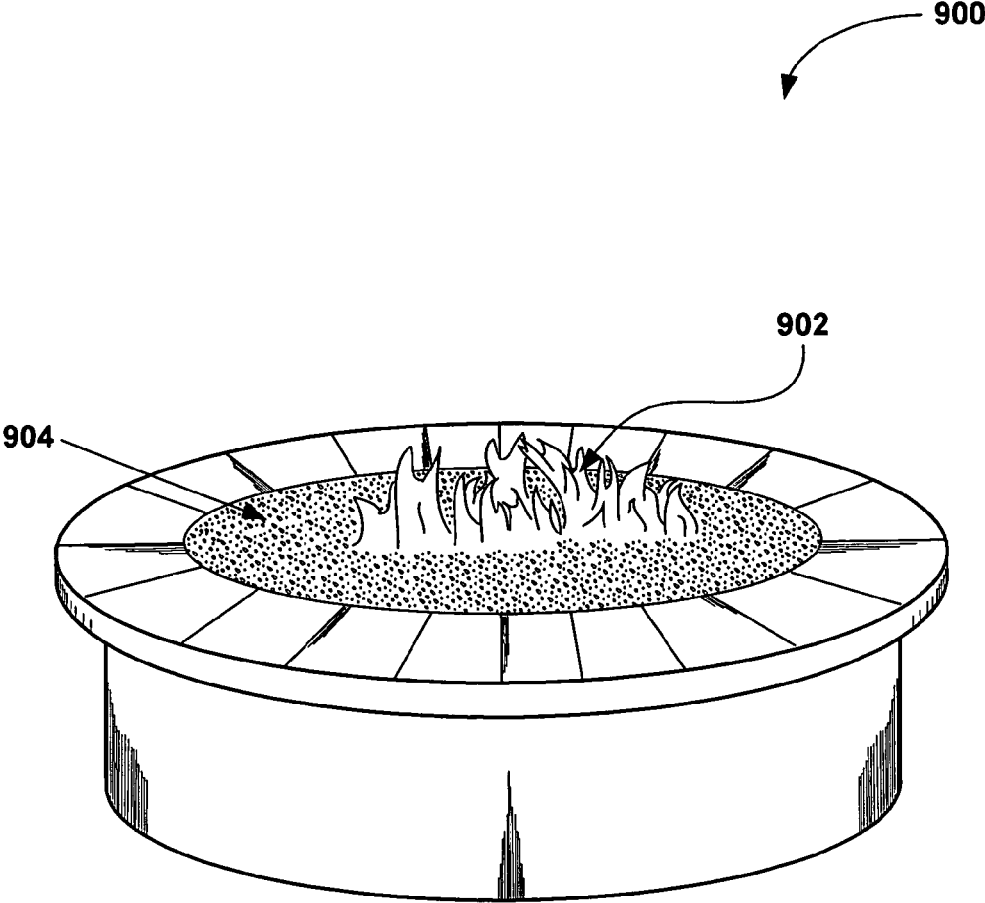


FIG. 9

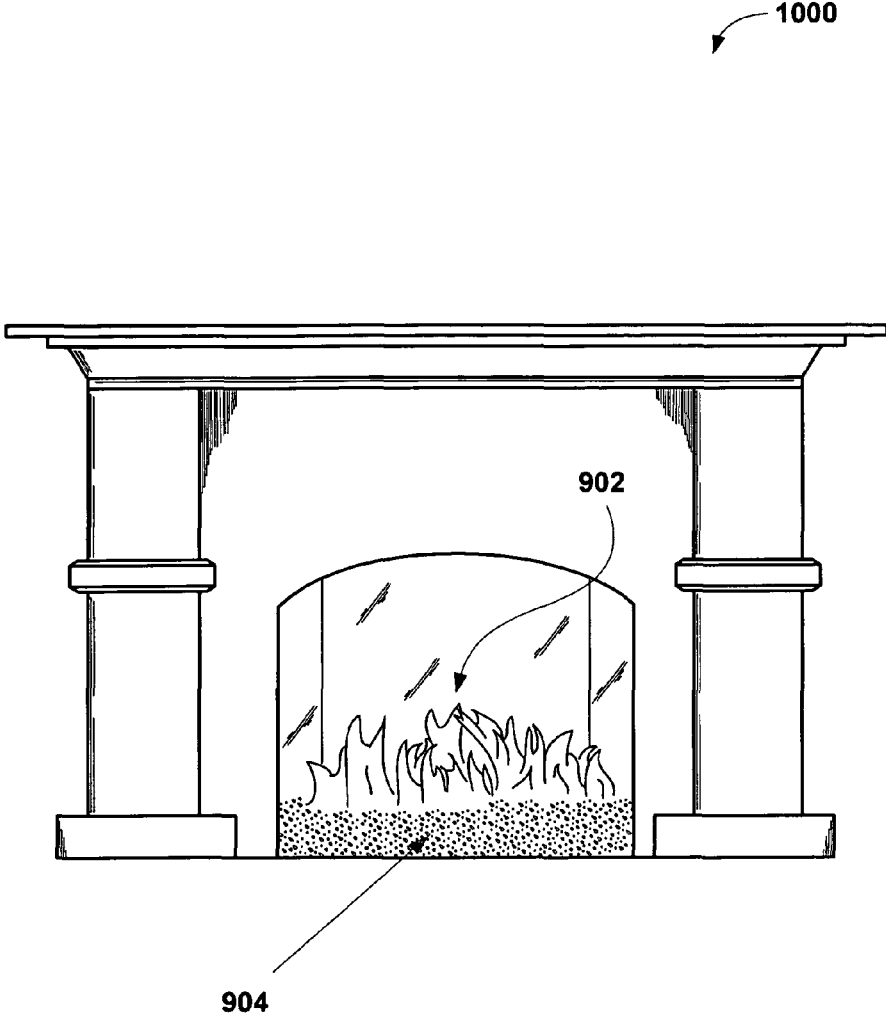


FIG. 10

1

TUMBLLED, POLISHED, VIBRATED BROKEN TEMPERED GLASS PIECES

BACKGROUND OF THE INVENTION

1. Field of the Invention

This invention relates generally to systems and methods for processing waste and new product into new useful material, and more particularly to processing broken tempered glass waste product into useful smoothed glass pieces useful in, for example, lapidary construction, art, and functional interior and exterior decorating.

2. Description of the Prior Art

Currently, the benefits of recycling materials are well known. For example, many common household materials, such as paper, metals, and glass can be recycled for re-use. However, the cost of recycling varies depending upon the material, and for some materials, such as tempered glass, the cost can be particularly high.

Glass recycling is costly because glass often is recycled for a generic use. As such, industries which use generic recycled glass typically require the glass to be largely contaminant free so as to be put to a variety of uses. Household and industrial waste recycling programs generally do not discriminate between glass and ceramic recyclables, or between glasses of different colors. As such, glass recyclables collected by recycling authorities tend to be a mixture of different colors of glasses and ceramics, as well as contaminants such as foil or paper labels and any non-recyclable refuse that finds its way into a bottle or jar or other refuse in a recycling bin.

To reduce the costs of generic glass recycling, specific uses for recycled glass have been developed. For example, U.S. Pat. No. 6,284,186 to Hansen discloses using comminuted, recycled, glass powders as filler in molded plastic parts. The recycled glass powder used in Hansen has non-uniform, rounded edges and is free from contaminants, such as grinding compounds, metals, inorganic, and organic waste materials. Hansen discloses using the recycled glass powder filler with a variety of different thermoplastics and thermosetting plastics commonly used to in injection molding and blow molding of plastic parts.

U.S. Pat. No. 6,409,500 B2 to Georgantas discloses tempered glass pieces that have been baked three times in a temperature and oxygen controlled environment. The glass is made from specially-formulated, tempered glass pieces formed around a gas pipe. Georgantas' specially-formulated, baked three times "special" glass is disclosed as being broken to form smooth-edged pieces not requiring additional work or processing. Further disclosure by Georgantas describes that the specially formulated tempered glass and is baked at least three times at temperatures of about 1200° Fahrenheit for 30 minutes or more. Additionally, the broken pieces of the tempered glass are about 10 mm in size and contain few, if any sharp edges. Major differences in Georgantas' disclosure and the present invention is that the present invention uses only standard tempered glass, typically as found in a glass foundry. The standard tempered glass of the present invention does not require any special formulation, nor does it require baking more than once as Georgantas does. The present invention requires additional fabrication or processing time as the standard tempered glass breaks into irregular fragments that have sharp edges and burrs that require finishing in order to be handled safely.

One type of glass waste product is broken glass. In general, once a glass pane is broken, there is little use for the broken shards or the remainder of the broken glass pane.

2

Broken tempered glass, such as window shields (windshields are laminated) for automobiles, presents a particular recycle problem because the resultant glass comprises small, sharp, glass pieces that are fire resistant.

In view of the foregoing, there is a need for systems and method for recycling broken, normal tempered glass waste product into smoothed glass pieces useful in, for example, lapidary construction, art, and functional interior and exterior decorating. The systems and methods should provide a high efficiency in creating the smoothed glass pieces, and should not require specially-formulated glass or non-standard tempering processes.

SUMMARY OF THE INVENTION

Broadly speaking, embodiments of the present invention address these needs by disclosing systems and methods for generating useful, smooth glass pieces from normal heat-treated glass. The resulting smooth glass pieces are useful in, for example, lapidary construction, art, and functional interior and exterior decorating. In one embodiment, a method for creating smoothed, heat-treated glass fragments is disclosed. The method includes placing a plurality of heat-treated glass fragments into a tumbling, vibrating or agitating apparatus. Each heat-treated glass fragment is formed from glass that has been heated to a temperature of at least 1000° Fahrenheit and rapidly cooled to a temperature below 700° Fahrenheit. The plurality of glass fragments are then tumbled for a predetermined period of time such that surfaces of the heat-treated glass fragments are smoother than prior to tumbling. The glass fragments are thereafter removed from the tumbling apparatus, resulting in smoothed, heat-treated glass fragments suitable for direct handling. The heat-treated glass fragments can be formed from fully tempered or toughened glass. For example, the heat-treated glass fragments can be formed from tempered glass that has been heated to a temperature in the range of about 1,200° to 1,600° Fahrenheit and rapidly cooled to a temperature below 600° Fahrenheit. In this case, the tempered glass has a surface compression of at least 10,000 PSI. Alternatively, each glass fragment can be formed from toughened glass that has a surface compression of at least 3,500 pounds-force PSI. In either case, the glass typically is rapidly cooled by application of an air quench that extracts heat uniformly from both surfaces of the glass and leaves the center area of the heated glass hotter than the surfaces. To further customize polishing, an aqueous or non-aqueous process can be used. Aqueous additives can be placed into the tumbling apparatus along with the heat-treated glass fragments during an aqueous process. Similarly, when utilizing a non-aqueous process, non-aqueous additives can be placed into the tumbling apparatus along with the heat-treated glass fragments.

A further method for creating smoothed, heat-treated glass fragments is disclosed in an additional embodiment of the present invention. In this embodiment, a plurality of heat-treated glass fragments are placed into a vibratory apparatus. As above, each heat-treated glass fragment is formed from glass that has been heated to a temperature of at least 1000° Fahrenheit and rapidly cooled to a temperature below 700° Fahrenheit. The plurality of glass fragments are then vibrated for a predetermined period of time such that surfaces of the heat-treated glass fragments are smoother than prior to vibrating. The glass fragments are thereafter removed from the vibratory apparatus, resulting in smoothed, heat-treated glass fragments suitable for direct handling. As above, an aqueous or non-aqueous process can

3

be used. Aqueous additives can be placed into the vibratory apparatus along with the heat-treated glass fragments during an aqueous process, and non-aqueous additives can be placed into the vibratory apparatus when utilizing a non-aqueous process.

In a further embodiment, smoothed, heat-treated glass fragments prepared by a process comprising placing a plurality of heat-treated glass fragments into a tumbling apparatus are disclosed. In this embodiment, the smoothed, heat-treated glass fragments are formed from glass that has been heated to a temperature of at least 1000° Fahrenheit and rapidly cooled to a temperature below 700° Fahrenheit. The glass fragments are then tumbled for a predetermined period of time such that surfaces of the heat-treated glass fragments are smoother than prior to tumbling, and then removed from the tumbling apparatus. As above, an aqueous compound can be placed into the tumbling apparatus along with the heat-treated glass fragments, as can aqueous additives. Similarly, during a non-aqueous process, non-aqueous additives can be placed into the tumbling apparatus along with the heat-treated glass fragments.

The smoothed, heat-treated glass fragments of the embodiments of the present invention are suitable for direct handling and can be utilized in various projects including art, decoration, facade, stone work, lapidary, construction, paving, laminates, decorative, functional and nonfunctional interior and exterior decorating. In addition, because the smoothed glass pieces have been heat-treated, they can be utilized in heat related building and art projects, such as fire pits and fireplaces. Other aspects and advantages of the invention will become apparent from the following detailed description, taken in conjunction with the accompanying drawings, illustrating by way of example the principles of the invention.

BRIEF DESCRIPTION OF THE DRAWINGS

The invention, together with further advantages thereof, may best be understood by reference to the following description taken in conjunction with the accompanying drawings in which:

FIG. 1 is a flowchart showing a method for creating useful, smooth glass pieces from normal heat-treated glass, in accordance with an embodiment of the present invention;

FIG. 2 is an illustration showing exemplary broken glass shards from non-tempered glass;

FIG. 3A is an illustration showing exemplary broken heat-treated glass, in accordance with an embodiment of the present invention;

FIG. 3B is an illustration showing a magnified view of exemplary broken heat-treated glass fragments, in accordance with an embodiment of the present invention;

FIG. 4 is a flowchart showing a process for producing smooth glass fragments suitable for direct handling from heat-treated glass fragments, in accordance with an embodiment of the present invention;

FIG. 5A is an illustration showing an exemplary tumbling apparatus;

FIG. 5B is an illustration showing an exemplary horizontal tumbling apparatus;

FIG. 6 is an illustration showing an exemplary smoothed, heat-treated glass fragment after being processed according to the embodiments of the present invention.

FIG. 7 is a flowchart showing a process for producing smooth glass fragments suitable for direct handling from heat-treated glass fragments utilizing a vibratory apparatus, in accordance with an embodiment of the present invention;

4

FIG. 8 is an illustration showing an exemplary vibratory apparatus;

FIG. 9 is an illustration showing an exemplary use of the smoothed heat-treated glass pieces in a fire pit, in accordance with an embodiment of the present invention; and

FIG. 10 is an illustration showing an exemplary use of the smoothed heat-treated glass pieces in a fireplace, in accordance with an embodiment of the present invention

DETAILED DESCRIPTION

An invention is disclosed for generating useful, smoothed glass pieces from normal heat-treated glass, such as fully tempered glass or heat-strengthened glass, that are useful in, for example, lapidary construction, art, and functional interior and exterior decorating. Embodiments of the present invention do not require specially-formulated glass or non-standard tempering processes and provide a high efficiency in creating the smoothed glass pieces. In the following description, the term heat-treated glass shall refer to any glass that is processed to create a surface compression such that the fraction pattern of the glass results in many small glass fragments. Hence, the term heat-treated glass shall refer to, for example, fully tempered glass, heat-strengthened glass, also known as toughened glass, or any other glass heat processed to create a similar fracture pattern.

In addition, numerous specific details are set forth in order to provide a thorough understanding of the present invention. It will be apparent, however, to one skilled in the art that the present invention may be practiced without some or all of these specific details. In other instances, well known process steps have not been described in detail in order not to unnecessarily obscure the present invention.

Embodiments of the present invention recycle broken heat-treated glass by processing the broken heat-treated glass fragments into smooth glass pieces, which are suitable for handling and can be used in, for example, art, decoration, facade, stone work, lapidary, construction, paving, laminates, decorative, functional and nonfunctional interior and exterior decorating. Broadly speaking, embodiments of the present invention create the smooth glass fragments utilizing tumbling and/or vibrating of the heat-treated glass fragments.

FIG. 1 is a flowchart showing a method 100 for creating useful, smooth glass pieces from normal heat-treated glass, in accordance with an embodiment of the present invention. In an initial operation 102, preprocess operations are performed. Preprocess operations can include, for example, creating a glass sheet, coloring the glass sheet, and other preprocess operations that will be apparent to those skilled in the art after a careful reading of the present disclosure. The glass sheet can be comprised of a molten silica-based mix.

In operation 104, the glass sheet is heated to at least 1000° Fahrenheit. Typically, the glass sheet is heated to approximately 1,200° F. to 1,600° F. This high temperature is substantially at or above the glass's softening point. In one embodiment, a tempering furnace can be used to heat the glass sheet. The tempering furnace may be of a continuous roller-type, fixtured roller-type, or gas-type. A gas-type tempering furnace has a plurality of blocks disposed beneath a plurality of radiant heaters. Typically, a glass sheet is placed inside the tempering furnace where the glass sheet is heated by conventional radiation, convection, and conduction heat. The glass sheet is moved along the blocks at a predetermined rate, which depends upon the thermal conductivity of the glass sheet.

5

In operation **106**, an air quench is applied to the glass sheet to rapidly extract heat uniformly from both surfaces of the glass sheet, thus generating a heat-treated or tempered glass sheet. The air quench typically is applied by an air stream system. The air stream system can comprise arrays of fixed, reciprocating, or rotating nozzles. Heat is extracted uniformly from both surfaces of the glass sheet and the quench is sustained long enough to prevent reheating of the glass surfaces from the still-hot center of the glass sheet. Uneven heat extraction may produce bow or warp. The quenched condition becomes stable when the glass sheet is reduced to a temperature of approximately 400° F. to 600° F.

The immediate and sustained application of the air quench leaves the center of the glass sheet relatively hot compared to the surfaces. As the center area cools, it forces the surfaces and edges into a compressed state. As a result, a surface compression of 3,500 PSI to 10,000 PSI is created.

The heat-treated glass sheet is then broken to produce heat-treated or tempered glass fragments, in operation **108**. The heat-treated glass has a unique fracture pattern, which causes the glass to break into small fragments having jagged edges and sharp shards. Glass that is not heat-treated as described above generally breaks into large sharp shards as illustrated in FIG. 2. FIG. 2 is an illustration showing exemplary broken glass shards **200** from non-tempered glass. As illustrated in FIG. 2, each glass shard **202a** and **202b** generally is relatively large and includes very sharp edges **204** and sharp burs **206**.

FIG. 3A is an illustration showing exemplary broken heat-treated glass **302**, in accordance with an embodiment of the present invention. As illustrated in FIG. 3A, a broken sheet of heat-treated glass **302** exhibits a unique fracture pattern **304**, which causes the glass to break into small heat-treated glass fragments **306** having jagged edges and sharp shards. FIG. 3B is an illustration showing a magnified view of exemplary broken heat-treated glass fragments **306**, in accordance with an embodiment of the present invention. Unlike the glass shards of FIG. 2, each heat-treated glass fragment **306** is small and relatively uniform in size. In addition, each heat-treated glass fragment **306** includes sharp edges **308** that make the heat-treated glass fragments generally unsuitable for direct handling without some form of hand protection.

Referring back to FIG. 1, the heat-treated glass fragments are processed to produce smooth glass fragments suitable for direct handling, in operation **110**. As will be discussed in greater detail subsequently, embodiments of the present invention process the heat-treated glass fragments via tumbling and/or polishing and/or vibrating. It should be noted that the term heat-treated glass shall refer to any glass that is processed to create a surface compression such that the fracture pattern of the glass results in many small glass fragments. Hence, the term heat-treated glass shall refer to, for example, fully tempered glass, heat-strengthened glass, also known as toughened glass, or any other glass heat processed to create a similar fracture pattern. Post process operations are performed in operation **112**. Post process operations can include, for example, utilizing the smoothed glass pieces in art, decoration, facade, stone work, lapidary, construction, paving, laminates, decorative, functional and nonfunctional interior and exterior decorating.

FIG. 4 is a flowchart showing a process **110a** for producing smooth glass fragments suitable for direct handling from heat-treated glass fragments, in accordance with an embodiment of the present invention. In an initial operation **400**, preprocess operations are performed. Preprocess operations

6

can include, for example, heating and rapidly cooling a glass sheet, obtaining tempered or heat-strengthened glass, breaking the glass so as to form broken heat-treated glass fragments, and other preprocess operations that will be apparent to those skilled in the art after a careful reading of the present disclosure.

In operation **402**, the heat-treated glass fragments are positioned in a tumbling apparatus. Although any tumbling apparatus capable of tumbling the heat-treated glass fragments over time can be utilized with the embodiments of the present invention, FIGS. 5A and 5B are exemplary illustrations showing exemplary tumbling apparatuses for use in processing broken heat-treated glass fragments.

In particular, FIG. 5A is an illustration showing an exemplary tumbling apparatus **500**, in accordance with an embodiment of the present invention. The exemplary tumbling apparatus **500** includes a base frame **502**, tumbling drum **504**, and a motor **506** attached to both the base frame **502** and tumbling drum **504** for drum **504** rotation. In one embodiment, the rotation drum **504** can comprise a ferrous or non-ferrous container, steel, plastic, copper, or stainless steel. The motor **506** operates to rotate the tumbling drum **504** during glass processing, as will be described in greater detail below. After obtaining the broken heat-treated glass fragments, as described above, the heat-treated glass fragments are placed within the tumbling drum **504**. The tumbling drum **504** can be positioned as indicated by the tilt arrows **508** in FIG. 5A. As a result, the tumbling drum **504** can be positioned such that the glass will be tumbled horizontal, vertically, or at angle between 0° and 90°.

FIG. 5B is an illustration showing an exemplary horizontal tumbling apparatus **550**. The horizontal tumbling apparatus **550** includes a lateral tumbling drum **552**, a base frame **554**, and a pulley based motor **556**. The pulley based motor **556** is attached to the base frame **554** and is further in communication with the lateral tumbling drum **552** via a drive belt. As above, the pulley based motor **556** operates to rotate the tumbling drum **554** during glass processing. Similar to above, when utilizing the horizontal tumbling apparatus **550** of FIG. 5B, the heat-treated glass fragments are placed within the lateral mixing drum **552** during operation **402**.

Embodiments of the present invention can process the broken heat-treated glass fragments either aqueously or non-aqueously. Hence, in operation **404**, a decision is made as to whether the heat-treated glass fragments will be processed aqueously. If aqueous processing will be performed, the process **110a** branches to operation **406**. Otherwise, the process **110a** branches to operation **408**.

As stated above, when aqueous processing will be performed, the process **110a** branches to operation **406** where optional aqueous additives are introduced to the tumbling apparatus. Referring to FIG. 5A, when utilizing aqueous processing an aqueous compound is poured into the tumbling drum **504**. The aqueous compound then operates to surround the previously inserted heat-treated glass fragments and assists in smoothing during the tumbling process. Optionally, additives can be added to the aqueous compound to achieve various smoothing effects. For example, serum oxide can be mixed with water to aqueously process the heat-treated glass pieces. In addition, silicon carbide, tin oxide, and aluminum oxide are further exemplary additives that can be added to the aqueous compound.

Referring back to FIG. 4, when non-aqueous processing will be performed, the process **110a** branches to operation **408** where optional non-aqueous additives are introduced to the tumbling apparatus. Referring to FIG. 5A, when utilizing

7

non-aqueous processing optional non-aqueous additives can be inserted into the tumbling drum **504** along with the heat-treated glass fragments to achieve various smoothing effects. For example, silica sand can be placed in the tumbling drum **504** to assist in processing the heat-treated glass pieces. In addition, silicon carbide, tin oxide, and aluminum oxide are further exemplary additives that can be inserted into the tumbling drum **504**.

After adding any optional additives to the tumbling apparatus in operation **406**, during aqueous processing, or operation **408**, during non-aqueous processing, the tumbling process is commenced to smooth the heat-treated glass fragments. Turning to FIG. **5A**, the tumbling drum **504** is rotated to tumble the heat-treated glass fragments along with any additives. During tumbling, the relative motion between the heat-treated glass fragments and the treating elements, i.e., the aqueous compound and optional additives or non-aqueous additives, and against each other alter the surface of the heat-treated glass fragments. Hence, the relative motion polishes, de-burs, and smoothes the heat-treated glass fragments so as to become suitable for handling.

When an aqueous tumbling process is utilized, as described in operation **406**, the heat-treated glass fragments can achieve a high degree of polished texture. Alternatively, a rougher texture can be achieved utilizing a non-aqueous tumbling process, as described in operation **408**. Embodiments of the present invention typically tumble the heat-treated glass for a time period in the range of about 15 minutes to 2 hours, depending on the polishing effect desired. For example, shorter tumble times result in smooth heat-treated glass fragments that are less polished than result when using longer tumble times. In addition, longer tumble times generally result in more rounding of the heat-treated glass fragments than result using shorter tumble times. For example, tumbling the heat-treated glass fragments for 2 hours typically results in smooth, very rounded, bead-like heat-treated glass fragments.

In operation **412**, the smoothed, heat-treated glass fragments are removed from the tumbling apparatus. As stated previously, the resulting smoothed, heat-treated glass fragments are suitable for direct handling. FIG. **6** is an illustration showing an exemplary smoothed, heat-treated glass fragment **600** after being removed from the tumbling apparatus in operation **412**. As illustrated in FIG. **6**, the surface **602** of the heat-treated glass fragment **600** is smooth, having smoothed edges **604** free of sharp burs. As a result, the smoothed, heat-treated glass fragment **600** can be directly handled without hand protection and utilized in various projects including art, decoration, facade, stone work, lapidary, construction, paving, laminates, decorative, functional and nonfunctional interior and exterior decorating.

Post process operations are performed in operation **414**. Post process operations can include, for example, drying the smoothed, heat-treated glass fragments during an aqueous tumbling process, cleaning additive material from the smoothed, heat-treated glass fragments, and other post process operations that will be apparent to those skilled in the art after a careful reading of the present disclosure. In addition to smoothing the broken heat-treated glass pieces via tumbling, embodiment of the present invention can produce smooth heat-treated glass fragments via vibration, as described next with reference to FIG. **7**.

FIG. **7** is a flowchart showing a process **110b** for producing smooth glass fragments suitable for direct handling from heat-treated glass fragments utilizing a vibratory apparatus, in accordance with an embodiment of the present invention. In an initial operation **700**, preprocess operations are per-

8

formed. Preprocess operations can include, for example, heating and rapidly cooling a glass sheet, obtaining tempered or heat-strengthened glass, breaking the glass so as to form broken heat-treated glass fragments, and other preprocess operations that will be apparent to those skilled in the art after a careful reading of the present disclosure.

In operation **702**, the heat-treated glass fragments are positioned a vibratory apparatus. Although any vibratory apparatus capable of tumbling the heat-treated glass fragments over time can be utilized with the embodiments of the present invention, FIG. **8** is exemplary illustration showing an example vibratory apparatus for use in processing broken heat-treated glass fragments.

In particular, FIG. **8** is an illustration showing an exemplary vibratory apparatus **800**. The exemplary vibratory apparatus **800** includes a base frame **802**, vibratory drum **804**, and a vibratory motor **806** attached to both the base frame **802** and vibratory drum **804** for drum **804** vibration. In one embodiment, the vibratory drum **804** can comprise a ferrous or non-ferrous container, plastic, copper, or stainless steel. The motor **806** operates to vibrate the vibratory drum **804** at a high frequency during glass processing, as will be described in greater detail below. After obtaining the broken heat-treated glass fragments, as described above, the heat-treated glass fragments are placed within the vibratory drum **804**. Similar to tumbling, the vibratory drum **804** can be positioned such that the glass will be tumbled horizontal, vertically, or at angle between 0° and 90° .

As mentioned previously, embodiments of the present invention can process the broken heat-treated glass fragments either aqueously or non-aqueously. Hence, in operation **704**, a decision is made as to whether the heat-treated glass fragments will be processed aqueously. If aqueous processing will be performed, the process **110b** branches to operation **706**. Otherwise, the process **110b** branches to operation **708**.

As stated above, when aqueous processing is performed, the process **110b** branches to operation **706** where optional aqueous additives are introduced to the vibratory apparatus. Referring to FIG. **8**, during aqueous processing an aqueous compound is poured into the vibratory drum **804**. The aqueous compound then operates to surround the previously inserted heat-treated glass fragments and assists in smoothing during the vibration process. Optionally, additives can be added to the aqueous compound to achieve various smoothing effects. For example, serum oxide can be mixed with water to aqueously process the heat-treated glass pieces.

Referring back to FIG. **7**, when non-aqueous processing will be performed, the process **110b** branches to operation **708** where optional non-aqueous additives are introduced to the tumbling apparatus. Referring to FIG. **8**, when utilizing non-aqueous processing optional non-aqueous additives can be inserted into the vibratory drum **804** along with the heat-treated glass fragments to achieve various smoothing effects. For example, silica sand placed in the vibratory drum **804** to assist in processing the heat-treated glass pieces.

After adding any optional additives to the vibratory apparatus in operation **706**, during aqueous processing, or operation **708**, during non-aqueous processing, the vibration process is commenced to smooth the heat-treated glass fragments. Turning to FIG. **8**, the vibratory drum **804** is vibrated at a high frequency to vibrate the heat-treated glass fragments along with any additives. The vibration of the heat-treated glass fragments and the treating elements, i.e., the aqueous compound and optional additives or non-aqueous additives, alter the surface of the heat-treated glass fragments. As a result, the vibration motion polishes, de-

burs, and smoothes the heat-treated glass fragments so as to become suitable for handling.

When an aqueous vibratory process is utilized, as described in operation 706, the heat-treated glass fragments can achieve a high degree of polished texture. Alternatively, a rougher texture can be achieved utilizing a non-aqueous vibratory process, as described in operation 708. Embodiments of the present invention typically vibrate the heat-treated glass for a time period in the range of about 15 minutes to 2 hours, depending on the polishing effect desired. For example, shorter vibration times result in smooth heat-treated glass fragments that are less polished than result when using longer vibration times. In addition, longer vibration times generally result in more rounding of the heat-treated glass fragments than result using shorter vibration times. For example, vibrating the heat-treated glass fragments for 2 hours typically results in smooth, very rounded, bead-like heat-treated glass fragments.

In operation 712, the smoothed, heat-treated glass fragments are removed from the vibratory apparatus. As stated previously, the resulting smoothed, heat-treated glass fragments are suitable for direct handling and can be utilized in various projects including in art, decoration, facade, stone work, lapidary, construction, paving, laminates, decorative, functional and nonfunctional interior and exterior decorating.

Post process operations are performed in operation 714. Post process operations can include, for example, drying the smoothed, heat-treated glass fragments during an aqueous process, cleaning additive material from the smoothed, heat-treated glass fragments, and other post process operations that will be apparent to those skilled in the art after a careful reading of the present disclosure.

As mentioned above, the smoothed, heat-treated glass pieces can be utilized in a variety of projects. In addition, because the smoothed glass pieces have been heat-treated, they can be utilized in heat related building and art projects, such as fire pits and fireplaces. FIG. 9 is an illustration showing an exemplary use of the smoothed heat-treated glass pieces in a fire pit 900, in accordance with an embodiment of the present invention. The fire pit 900 includes a gas fire 902 formed on a plurality of smoothed, heat-treated glass fragments 904. Typically, the smoothed, heat-treated glass fragments 904 can be formed around gas line situated within the fire pit 900.

Normal glass subjected to the heat of the gas fire 902 will distort, explode, or otherwise be damaged from the heat. However, because the smoothed glass pieces 904 of the embodiments of the present invention have been heat-treated, for example fully tempered or toughened, the smoothed, heat-treated glass pieces 904 will not distort, explode, or otherwise be damaged by the gas fire 902. This allows for a clean burning gas fire 902. In addition, the smoothed, heat-treated glass fragments 904 radiate heat and allow increased efficiency because nothing blocks the radiant heat from the gas fire 902 and the heated glass fragments 904.

FIG. 10 is an illustration showing an exemplary use of the smoothed heat-treated glass pieces in a fireplace 1000, in accordance with an embodiment of the present invention. Similar to the fire pit of FIG. 9, the fireplace 1000 of FIG. 10 includes a gas fire 902 formed on a plurality of smoothed, heat-treated glass fragments 904. Typically, the smoothed, heat-treated glass fragments 904 can be formed around gas line situated within the fireplace 1000. As mentioned above, the smoothed, heat-treated glass pieces 904 will not distort, explode, or otherwise be damaged by the gas fire 902

because the smoothed glass pieces 904 of the embodiments of the present invention have been heat-treated. This allows for a clean burning gas fire 902. In addition, the smoothed, heat-treated glass fragments 904 radiate heat and allow increased efficiency because nothing blocks the radiant heat from the gas fire 902 and the heated glass fragments 904.

Although the foregoing invention has been described in some detail for purposes of clarity of understanding, it will be apparent that certain changes and modifications may be practiced within the scope of the invention. Accordingly, the present embodiments are to be considered as illustrative and not restrictive, and the invention is not to be limited to the details given herein, but may be modified within scope and equivalents of the invention.

What is claimed is:

1. A method for creating smoothed, tempered glass fragments, comprising the operations of:
 - a. forming once heated standard tempered glass that has a surface compression of at least 3,500 pounds-force per square inch (PSI);
 - b. breaking the once heated standard tempered glass into a plurality of once heated standard tempered glass fragments of varying shapes and sizes;
 - c. placing the plurality of the once heated tempered glass fragments into an agitating apparatus;
 - d. agitating the plurality of the once heated tempered glass fragments for a predetermined period of time such that surfaces of the once heated tempered glass fragments have smoothed surfaces and smoothed edges that are free of sharp burs, creating fragments that have slightly rounded, bead-like shapes that are smoother than prior to the agitating; and
 - e. removing the plurality of the once heated standard tempered glass fragments from the agitating apparatus, wherein the smoothed, once heated tempered glass fragments are created suitable for direct handling.
2. A method as recited in claim 1, wherein the agitating apparatus is a tumbling apparatus, and wherein the tumbling apparatus tumbles the standard tempered glass fragments for a predetermined period of time creating fragments with slightly rounded, bead-like shapes and where the surfaces of the standard tempered glass fragments are smoother than prior to tumbling.
3. A method as recited in claim 1, further comprising the operation of placing aqueous additives into the agitating apparatus along with the standard tempered glass fragments.
4. A method as recited in claim 1, further comprising the operation of placing non-aqueous additives into the agitating apparatus along with the standard tempered glass fragments.
5. A method for creating smoothed, tempered glass fragments, suitable for use near a heat source, comprising the operations of:
 - a. forming standard tempered glass fragments from standard once heated tempered glass that has been rapidly cooled by application of an air quench that leaves a center area of the heated glass hotter than the surfaces;
 - b. placing a plurality of the standard once heated tempered glass fragments into an agitating apparatus;
 - c. agitating the plurality of the once heated standard tempered glass fragments for a predetermined period of time such that surfaces of the standard tempered glass fragments are smoother than prior to the agitating, wherein slightly rounded, bead-like shaped tempered glass fragments are created; and
 - d. positioning the smoothed, tempered glass fragments in a space designated to contain fire.

11

6. A method as recited in claim 5, wherein the agitating apparatus is a tumbling apparatus, and wherein the tumbling apparatus tumbles the standard tempered glass fragments for a predetermined period of time creating fragments with a slightly rounded, bead-like shape where the surfaces of the standard tempered glass fragments are smoother than prior to tumbling.

7. A method as recited in claim 5, further comprising the operation of placing aqueous additives into the agitating apparatus along with the standard tempered glass fragments.

8. A method as recited in claim 5, further comprising the operation of placing non-aqueous additives into the agitating apparatus along with the standard tempered glass fragments.

9. A method for creating smoothed, tempered glass fragments, comprising the operations of:

a. providing standard glass that has been heated only once to a temperature of at least 1000 degrees Fahrenheit and rapidly cooled to a temperature below 700 degrees Fahrenheit;

b. the once heated standard glass being rapidly cooled by application of an air quench that leaves a center area of the heated glass hotter than the surfaces, resulting in a surface compression of at least 3,500 pounds-force per square inch (PSI);

12

c. breaking the once heated standard tempered glass into a plurality of once heated standard tempered glass fragments of varying shapes and sizes;

d. agitating the plurality of once heated standard tempered glass fragments for a predetermined period of time providing each once heated standard tempered glass fragment with smoothed surfaces and smoothed edges that are free of sharp burs, creating fragments that have slightly rounded, bead like shapes that are smoother than prior to the agitating, and also providing that the once heated standard tempered glass fragments are smoother than prior to agitating; and

e. removing the resulting smoothed, once heated standard tempered glass fragments from the agitating apparatus.

10. A method as recited in claim 9, further comprising placing an aqueous compound into the agitating apparatus along with the standard tempered glass fragments.

11. A method as recited in claim 10, further comprising placing aqueous additives into the agitating apparatus along with the standard tempered glass fragments and the aqueous compound.

* * * * *