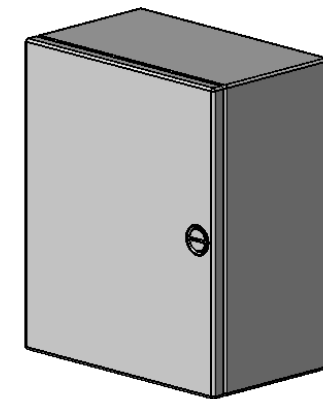
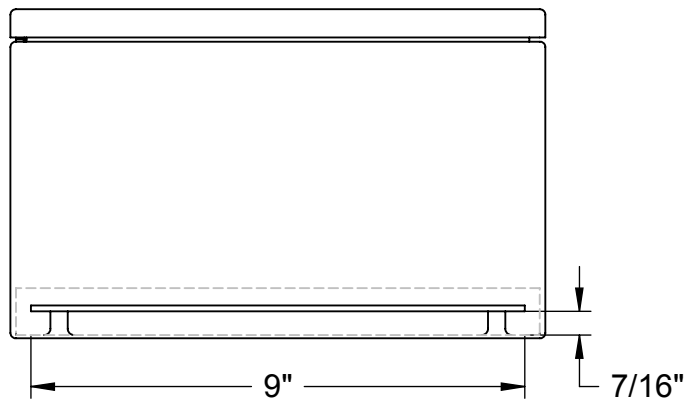
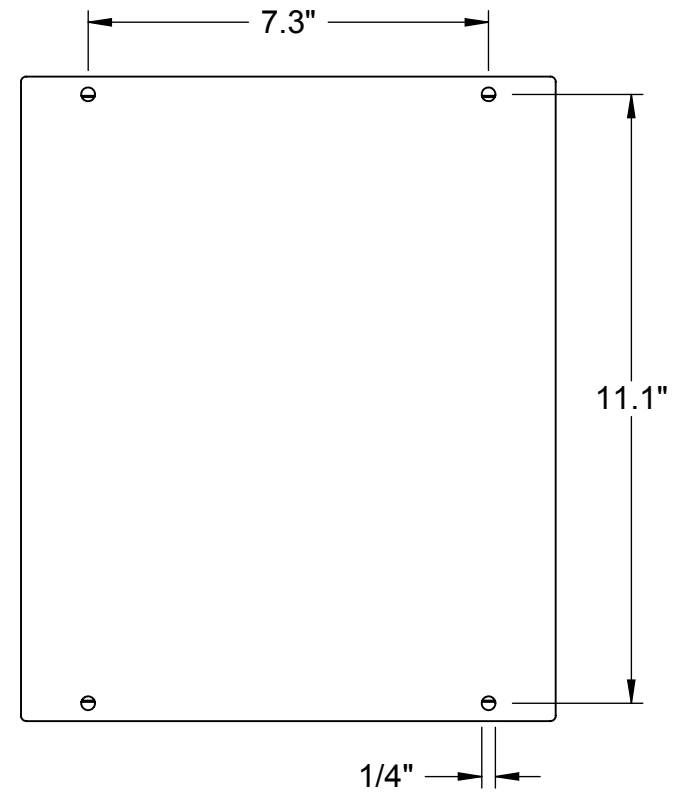


Panel 7812K54
Sold Separately



16-ga Steel (0.0598")

Approximate Internal Dimensions: Ht. 11 1/4", Wd. 9 1/4", Dp. 5 1/8"

McMASTER-CARR CAD

PART
NUMBER

7812K14

<http://www.mcmaster.com>
© 2014 McMaster-Carr Supply Company

Easy-Access
Washdown Enclosure

Information in this drawing is provided for reference only.